

## Ventilation Strategy

<b>Address</b>	
<b>Postcode</b>	
<b>Retrofit Assessor</b>	
<b>Retrofit Coordinator</b>	
<b>Retrofit Designer</b>	
<b>Measures to be installed (Stage 1 only)</b>	

<b>Ventilation Requirement</b>	<b>Upgrade Required?</b>	<b>Comments/Actions</b>
Intermittent extract ventilation to all wet rooms	Yes - kitchen only	IEV to be installed in the kitchen in line with the requirements of PAS2035 Annex C and Approved Document F
Background ventilation	Yes	The property is under occupied (2 occupants in a 4 bed). Background ventilation is present in the bathroom via two trickle vents. The remaining requirement will be achieved by purge ventilation and/or the use of open lock/night latch UPVC windows which are installed throughout the property. In addition we propose to install 2 core vents on the ground floor of the property to provide further background ventilation and these will be located to maximise cross flow ventilation.
Adequate Undercuts under all internal doors	Yes	n/a
Purge ventilation in each Habitable Room	Yes	n/a
Any mould and/or condensation at the property	Yes	Habitable advice given to the customer in using opening windows and extractor fans within wet rooms. Ventilation to be upgraded as above. Advice given with regards to drying clothes in internal rooms.

# 12 Volt SELV Fan Range

Safety Extra Low Voltage Bathroom/Shower Extractor Fans

## Domestic Range

LOW VOLTAGE RANGE 100/120/150MM



- Designed for wall, ceiling or window mounting, the 12 Volt SELV fans are available in three diameters - 100mm (4"), 120mm (5") and 150mm (6") and in seven options.
- Suitable for mounting within the splash area of a shower or bath (where current regulations prevent the use of conventional fans), the 12 Volt fan is a standard model manufactured with a 12V - 50Hz shaded pole motor. The transformer and switching mechanism is mounted remotely either in the roof space or high on the ceiling next to the pullcord switch. Pullcord, humidistat, PIR and versions have to be mounted inside the room where the fan is installed and out of the reach of the person using the bath or shower.
- A Centrifugal 12 Volt fan is available, fitted with a backward curved centrifugal impeller for large airflow against the high pressures caused by longer lengths of ducting and resistance by grilles.
- The extract rate of the 100mm (4") model is 85m<sup>3</sup>/hr 23 litres per second, the 120mm (5") 130m<sup>3</sup>/hr 36 litres per second and the 150mm 230m<sup>3</sup>/hr 64 litres per second.
- The CF200LV centrifugal fan has an extract rate of 110m<sup>3</sup>/hr 31 litres per second.
- The units are all manufactured using high impact ABS thermoplastics for strength and durability, aesthetics and easy cleaning.
- Power is provided by a single phase induction motor with pre-oiled bearings for a long, maintenance-free life.
- Designed to exceed the Building Regulations on Ventilation (F1).

# Technical Details

## Cat. No.

XF100LV/XF100ALV/  
XF100AHLV  
XF100LV/ XF100HTLVT

## Product type

Wall or ceiling model/Automatic wall or ceiling model  
Low voltage wall/ceiling mounted fan, timer delay and/ or humidity - transformer included

WF100LV/WF100ALV  
XF100HPLV

Window model/Automatic window model  
Low Voltage wall/ceiling mounted fan, with humidity and pull cord. Requires a T12S transformer.

XF100HLV

Low Voltage wall / ceiling mounted fan with humidity. Requires T12S transformer.

XF120LV/XF120ALV  
WF120LV/WF120ALV  
XF150BLV/XF150ALV\*  
WF150BLV/WF150ALV\*  
CF200LV

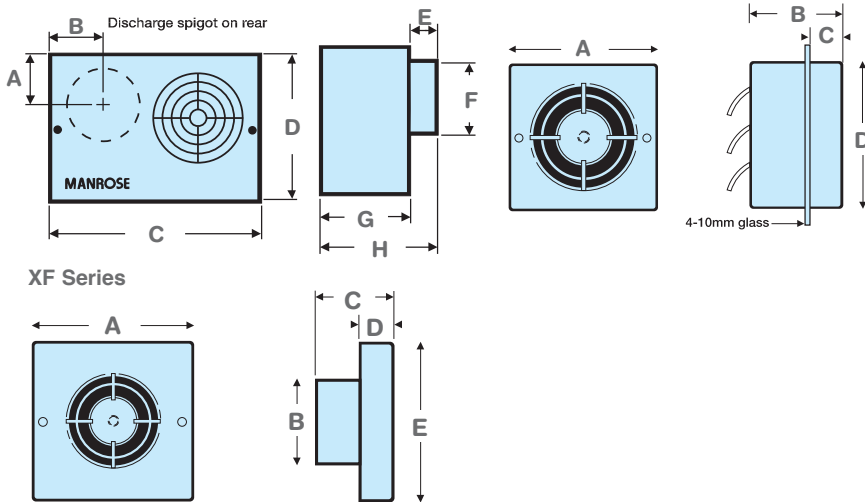
Wall or ceiling model/Automatic wall or ceiling model  
Window model/Automatic window model  
Wall or ceiling model/Automatic wall or ceiling model  
Window model/Automatic window model\*  
Wall or ceiling model\*  
\*Use LT12 Transformer

## Dimensions (mm)

PRODUCT	A	B	C	D	E	F	G	H
XF100LV	163	98Ø	75	30	163			
XF100HPLV	163	98Ø	75	30	163			
XF100HLV	163	98Ø	75	30	163			
XF100HTLVT	163	98Ø	75	30	163			
WF100LV	163	90	30	163				
XF120LV	182	118Ø	78	32	182			
WF120LV	182	92	32	182				
XF150BLV	203	150Ø	95	-	203			
XF150ALV	203	150Ø	95	-	203			
WF150BLV	203	118	95	203				
WF150ALV	203	118	95	203				
CF200LV	65	65	260	185	45	100	90	135

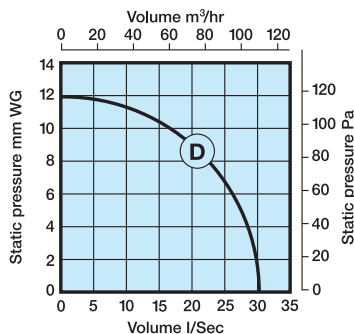
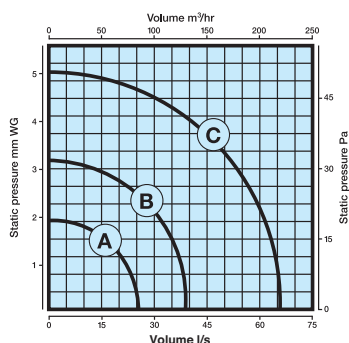
### CF Series

### WF Series



## Performance Graphs

- (A) XF/WF100LV 85m<sup>3</sup>/hr, 23 litres per second
- (B) XF/WF120LV 130m<sup>3</sup>/hr, 36 litres per second
- (C) XF/WF150BLV 230m<sup>3</sup>/hr, 64 litres per second
- (D) CF200LV 110m<sup>3</sup>/hr, 31 litres per second



## Packaging

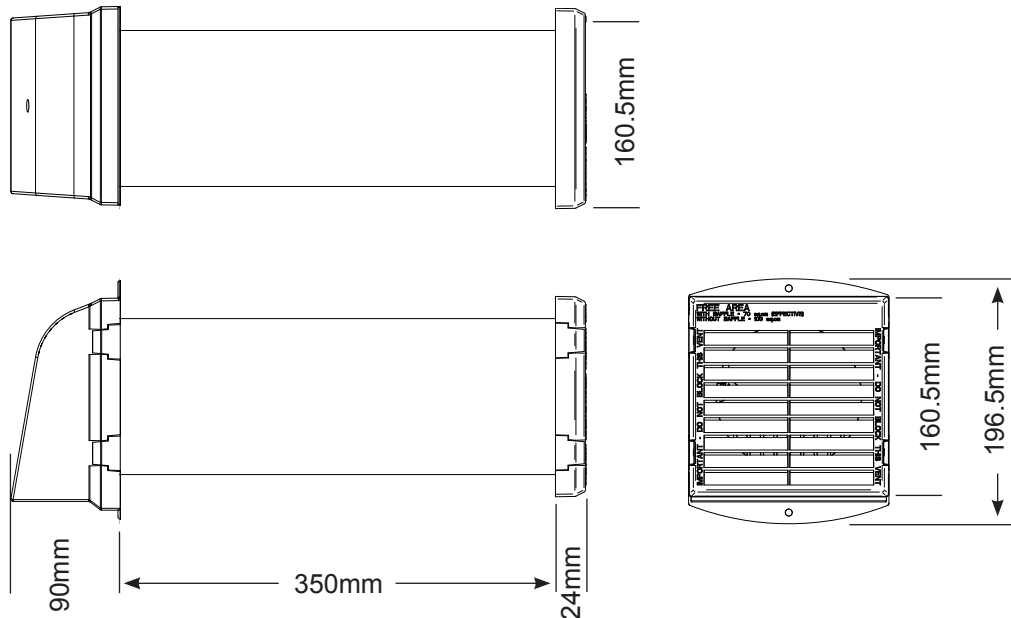
XF100LV/ALV In outers of 10 measuring 370mm x 200mm x 560mm - weight 7kgs  
WF100LV/ALV In outers of 10 measuring 360mm x 210mm x 510mm - weight 9kgs  
XF120LV/ALV In outers of 10 measuring 400mm x 215mm x 490mm - weight 8kgs  
WF120LV/ALV In outers of 10 measuring 446mm x 225mm x 550mm - weight 10kgs  
XF150BLV/ALV In outers of 10 measuring 595mm x 245mm x 450mm - weight 11kgs  
WF150BLV/ALV In outers of 10 measuring 460mm x 640mm x 240mm - weight 17kgs  
CF200LV In outers of 10 measuring 753mm x 283mm x 390mm - weight 12kgs

## Electrical

12 volts AC. - 50Hz. 10W on XF/WF100, 25W on XF/WF120LV, XF/WF150BLV and CF200LV. Supplied by a remote safety isolating transformer - Manrose type T12/ LT12 series.

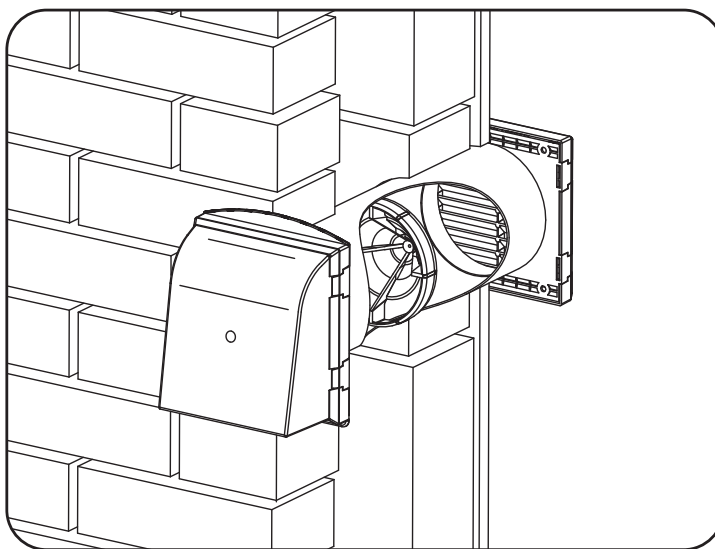
## 5" Core Drill Ventilator

CODE G900



### Description

The Manthorpe 5" Core Drill Vent is designed predominantly for use when ventilating a gas appliance, although can be used to supply general through wall ventilation as well. The kit includes a cowl vent for exterior use, a louvre grille for interior use, a 350mm length of pipe duct and an optional anti-draught baffle which reduces the airflow and also the feel of a draught through the vent. **Without the use of the anti-draught baffle**, the free area of the vent is 100cm<sup>2</sup>, enough to supply an appliance with a rated input of 27kW or 92,000 Btu/h (in accordance with BS5440 Pt.2:2000). **With the anti-draught baffle installed**, the effective free area of the vent is reduced to 70cm<sup>2</sup> (BRE tested) providing enough ventilation for an appliance with an input rating of 21kW or 71,500 Btu/h. The vent can easily be fitted in both refurb and new build situations with the use of a 5" (127mm) diameter core drill.



### References

BS5440 Pt.2:2000  
BRE Certificate

### Specification

Colours - Cowl	Brown Terracotta White
Louvre always supplied in white	
Packing Details	1 kit per box
Weight	0.650kg
Material	Polypropylene
Manufacturing Process	Injection moulded

MANTHORPE BUILDING PRODUCTS LTD  
MANTHORPE HOUSE  
BRITTAIN DRIVE  
CODNOR GATE BUSINESS PARK  
RIPLEY  
DERBYSHIRE DE5 3ND

TEL: 01773 303 000  
FAX: 01773 303 300  
EMAIL:  
mbp.care@manthorpebp.co.uk  
WEB  
www.manthorpebp.co.uk

DRN M.R Date 28.06.19

The company maintains a policy of continuous development of its product range and reserves the right to amend the specification without notice.

DRG No

**MBP 8261**

Issue

**G**